

# AQUILA V4

## SINGLE-JET METER

**DIEHL**  
Metering



### APPLICATION

AQUILA V4 is a bulk meter designed for network metering or to invoice substantial quantities of cold water.

It is characterised by its very high measuring dynamic, insensitivity to disturbance and easy maintenance.

AQUILA V4 is modular and compatible with the IZAR PULSE pulse transmitter and the IZAR RADIO. Its modular rotating flanges make for easy installation on all types of piping, even when resizing is necessary.

Its single-jet technology makes it particularly insensitive to disturbance before or after the meter. It has a CE certificate (MID). It also complies with the EN 14154, OIML R49 and ISO 4054 standards in the horizontal position. However, its performance is largely superior to that required by the regulations, for high and low flow rates alike.

### FEATURES

- ▶ Single-jet meter
- ▶ MID approval up to R 630 (DN 80 and 100)
- ▶ High dynamic range
- ▶ Starting flow rate 15 l/h (DN 50)
- ▶ Glass/metal counter as standard
- ▶ Modular rotating flange
- ▶ Retrofittable with IZAR PULSE INDUCTIVE/HALL (1 pulse = 10 l) and IZAR RADIO COMPACT 868 INDUCTIVE/HALL

# AQUILA V4

## SINGLE-JET METER

### TECHNICAL DATA

Nominal diameter	DN	mm	50	65	80	100
Permanent flow rate	Q <sub>3</sub>	m <sup>3</sup> /h	25	40	63	100
Dynamic range (Q <sub>3</sub> /Q <sub>1</sub> )*	R		315	315	315	315
Starting flow rate		l/h	15	25	25	40
Minimum flow rate	Q <sub>1</sub>	l/h	80	127	200	317
Transitional flow rate	Q <sub>2</sub>	l/h	127	203	320	508
Overload flow rate	Q <sub>4</sub>	m <sup>3</sup> /h	31.25	50	78.75	125
Overload		m <sup>3</sup> /h	93	150	157	250

\* Other values on request

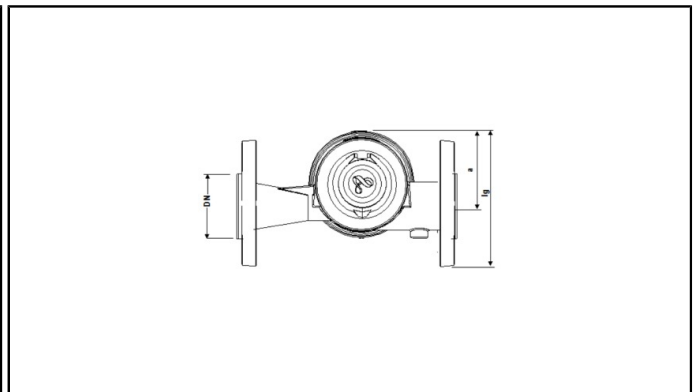
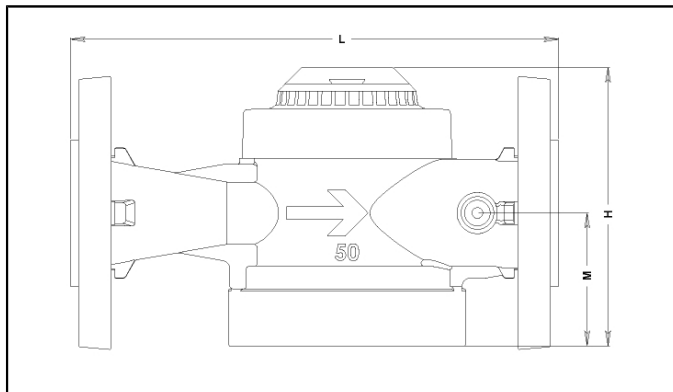
### APPROVAL

AQUILA V4	
MID	LNE 10913
Potable water	ACS

### TEMPERATURE AND PRESSURE

AQUILA V4	
Medium temperature range	°C 0 ... 50
Nominal pressure	PN bar 16
Breaking pressure	PN bar 55
Ambient limit temperature / storage	°C 0 ... 50

### DIMENSIONS

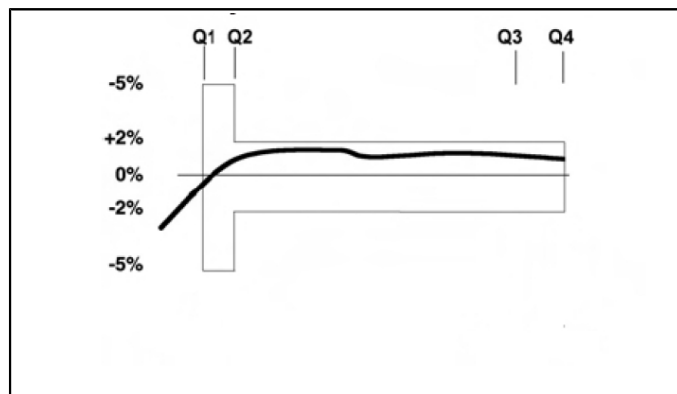


Nominal diameter	DN	mm	50	65	80	100
Overall length	L	mm	300	300	350	350
Width	a	mm	106	106	150	150
Width	Lg	mm	189	199	251	260
Height	h1	mm	83	93	101	110
Height	H	mm	173	183	208	216
Weight		kg	8.77	9.36	16.9	18.7
Flange diameter		mm	165	185	200	220

# AQUILA V4

SINGLE-JET METER

## PRECISION CURVE



## PRESSURE LOSS (DELTA P = Q<sup>2</sup>/KVS<sup>2</sup>)

Nominal diameter	DN	mm	50	65	80	100
Kvs			36	52	88	132

AQUILA V4 doesn't require straight length.