

WESAN ST

BULK WATER METER | STAND PIPE

DIEHL
Metering



APPLICATION

For metering water consumption, e.g. building sites, tank trucks, flushing pipe networks, irrigation system, fire brigade exercises, etc.
Attachment for underground hydrants to DIN 3221

FEATURES

- ▶ Woltman meter in dry-running design with magnetic coupling and roller counter
- ▶ Meter connection incorporated in grip
- ▶ Conical strainer fitted in stand pipe
- ▶ Meter can be rotated by 360°

WESAN ST

BULK WATER METER | STAND PIPE

GENERAL

			WESAN ST 215
Medium temperature range	°C		0 ... 30
Temperature safety	°C		0 ... 50
Ambient operating temperature	°C		0 ... 55
Ambient storage temperature	°C		0 ... 55
Nominal pressure	PN	bar	16
Display range			0.5 l ... 99,999 m ³
Approval			D 03 / 6.132.44
Metrological class			A
Protection class			IP 68

VERSIONS

Version 1

- WP-MFD 50; Q_n 15 m³/h
- C-coupling VA
- Vertical shut-off valve
- Venting

Version 2

- WP-MFD 50; Q_n 15 m³/h
- C-coupling VA
- Vertical shut-off valve
- Venting
- Non-return valve

Version 3

- WP-MFD 50; Q_n 15 m³/h
- C-coupling VA
- Vertical shut-off valve
- Venting
- Backflow preventer

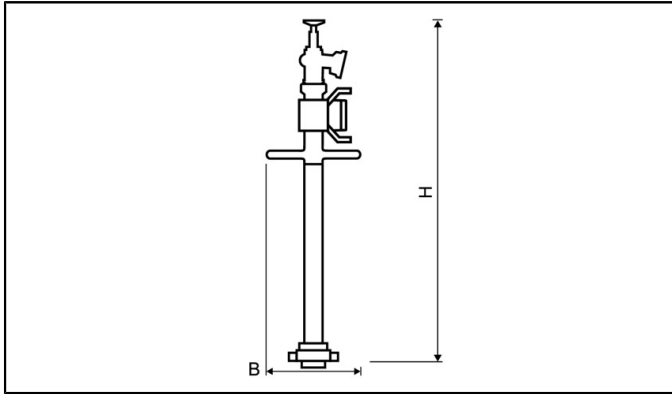
TECHNICAL DATA

Nominal diameter	DN	mm	50
Nominal flow rate (DIN ISO 4064)	Q _n	m ³ /h	15
Permissible continuous load (DMDE)	Q _n	m ³ /h	35
Maximum flow rate (short-term)	Q _{max}	m ³ /h	90
Transition flow rate	Q _t	m ³ /h	0.8
Minimum flow rate	Q _{min}	m ³ /h	0.3
Starting flow rate		l/h	90
Flow rate at 1 bar pressure loss		m ³ /h	35

WESAN ST

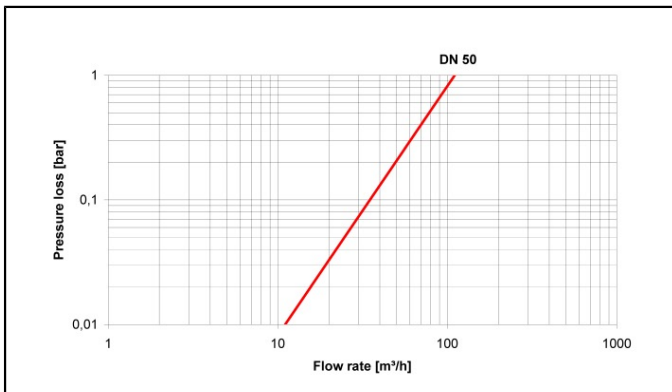
BULK WATER METER | STAND PIPE

DIMENSIONS

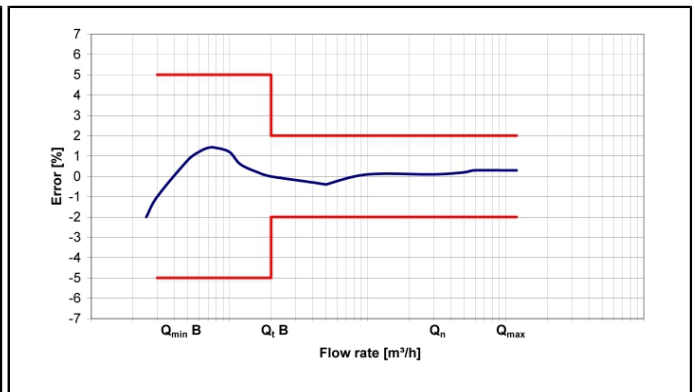


Nominal diameter	DN	mm	50
Connection thread			C-coupling
Height	H	mm	1270
Width	B	mm	320
Weight - Version 1		kg	19.5
Weight - Version 2		kg	20
Weight - Version 3		kg	22

PRESSURE LOSS GRAPH / TYPICAL ERROR GRAPH



Pressure loss graph



Typical error graph